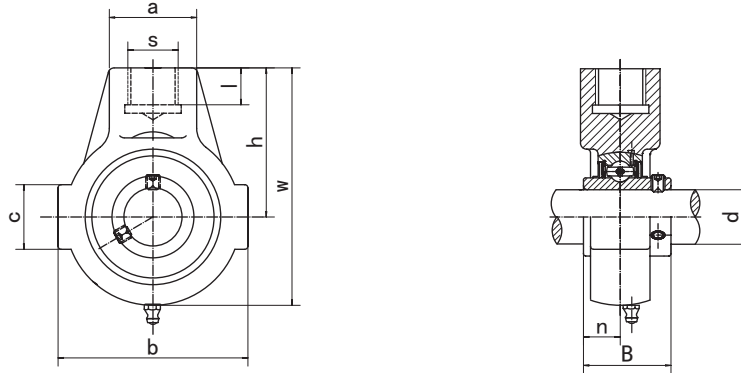


## Screw Conveyor Hanger Units

UCHE2 (Normal-duty)



Unit NO.	Dimensions ( mm / in. )										Bearing No.	Housing No.	Weight (kg)
	d	h	w	b	c	a	s	l	B	n			
UCHE201 201-8	12 1/2	58 9/16 5/8	91 3-37/64	65 2-9/16	38 1-1/2	30 1-3/16	M16	21 53/64	31 1 2205	12.7 0 500	UC201	HE201	0.61
UC201-8	0.60												
UCHE202 202-9 202-10	15 9/16 5/8										UC202	HE202	0.60
UC202-9	0.60												
UC202-10	0.60												
UCHE203 203-11	17 11/16	UC203	HE203	0.59									
UC203-11	0.58												
UCHE204 204-12	20 3/4	UC204	HE204	0.57									
UC204-12	0.57												
UCHE205 205-13 205-14 205-15 205-16	25 13/16 7/8 15/16 1	64 2-33/64	99 3-57/64	70 2-3/4	38 1-1/2	35 1-3/8	M20	22 55/64	34.1 1 3425	14.3 0 563	UC205	HE205	0.71
UC205-13	0.75												
UC205-14	0.74												
UC205-15	0.72												
UC205-16	0.71												
UCHE206 206-17 206-18 206-19 206-20	30 1-1/16 1-1/8 1-3/16 1-1/4	72 2-53/64	114 4-31/64	85 3-11/32	40 1-37/64	40 1-37/64	M24	24 15/16	38.1 1 5000	15.9 0 626	UC206	HE206	1.10
UC206-17	1.11												
UC206-18	1.12												
UC206-19	1.10												
UC206-20	1.09												
UCHE207 207-20 207-21 207-22 207-23	35 1-1/4 1-5/16 1-3/8 1-7/16	76 3	122 4-51/64	90 3-35/64	40 1-37/64	40 1-37/64	M24	24 15/16	42.9 1 6890	17.5 0 689	UC207	HE207	1.23
UC207-20	1.29												
UC207-21	1.26												
UC207-22	1.23												
UC207-23	1.20												
UCHE208 208-24 208-25	40 1-1/2 1-9/16	85 3-11/32	135 5-5/16	100 3-15/16	45 1-25/32	40 1-37/64	M24	24 15/16	49.2 1 9370	19 0 748	UC208	HE208	1.58
UC208-24	1.62												
UC208-25	1.59												
UCHE209 209-26 209-27 209-28	45 1-5/8 1-11/16 1-3/4	90.0 3-35/64	145 5-45/64	110 4-21/64	46 1-13/16	40 1-37/64	M24	24 15/16	49.2 1 9370	19 0 748	UC209	HE209	1.97
UC209-26	2.07												
UC209-27	2.03												
UC209-28	1.99												
UCHE210 210-29 210-30 210-31 210-32	50 1-13/16 1-7/8 1-15/16 2	90.0 3-35/64	145 5-45/64	110 4-21/64	46 1-13/16	40 1-37/64	M24	24 15/16	51.6 2 0315	19 0 748	UC210	HE210	1.88
UC210-29	2.00												
UC210-30	1.95												
UC210-31	1.90												
UC210-32	1.86												